

# LED Work Lights - Model 6040

## PRODUCT INFORMATION

---

<b>Description</b>	12-48V LED Work Light with Glass Lens & Spot Beam Pattern
<b>Height</b>	113.03 mm / 4.45 in
<b>Width</b>	113.03 mm / 4.45 in
<b>Depth</b>	43.18 mm / 1.7 in
<b>Shape</b>	Round
<b>Outer Lens Material</b>	Glass
<b>Outer Lens Color</b>	Clear
<b>Housing Material</b>	Die-Cast Aluminum
<b>Housing Color</b>	Black
<b>Retrofits</b>	PAR36 Worklights
<b>Minimum Operating Temperature</b>	-40 °C / -40 °F
<b>Maximum Operating Temperature</b>	65 °C / 149 °F
<b>Connector or Wiring</b>	Blade Terminals (Ring Terminal Adaptors Provided)
<b>Mating Connector</b>	0.25" Blade, #6 Ring Terminal, #8 Ring Terminal
<b>Product Weight</b>	0.69 lbs / 0.31 kgs
<b>Shipping Weight</b>	1.84 lbs / 0.83 kgs



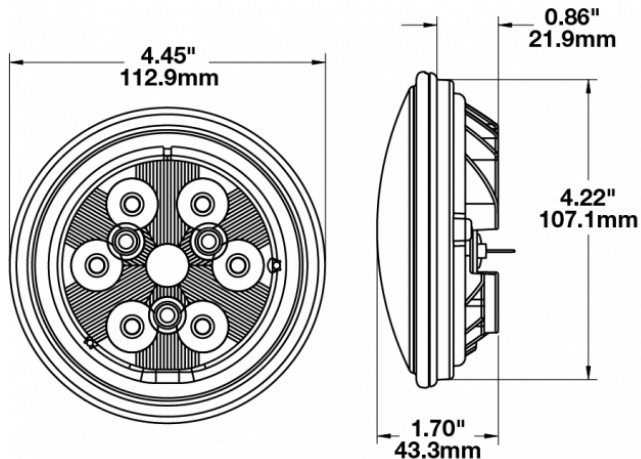
**Print date: 2024-08-11**

© 2024 J.W. Speaker Corporation • Germantown, WI U.S.A.  
 www.jwspeaker.com • speaker@jwspeaker.com • 262.251.6660

**J.W. SPEAKER**   
 Engineered. Lighting. Solutions.

# LED Work Lights - Model 6040

## PRODUCT DIMENSIONS



## ELECTRICAL SPECIFICATIONS

<b>Input Voltage</b>	12-48V DC
<b>Operating Voltage</b>	10-60V DC
<b>Transient Spike Protection</b>	150V Peak @ 1 HZ-100 Pulses
<b>Red Wire</b>	Positive
<b>Black Wire</b>	Negative
<b>Current Draw</b>	1.04A @ 12V DC 0.5A @ 24V DC 0.33A @ 36V DC 0.26A @ 48V DC

## REGULATORY STANDARDS COMPLIANCE



Buy America Standards  
IEC IP66

Eco Friendly

Print date: 2024-08-11

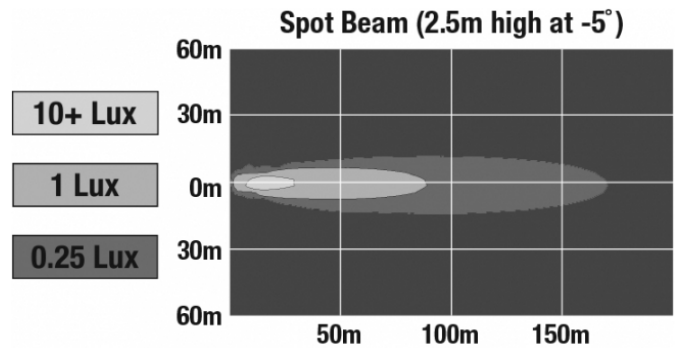
© 2024 J.W. Speaker Corporation • Germantown, WI U.S.A.  
www.jwspeaker.com • speaker@jwspeaker.com • 262.251.6660

**J.W. SPEAKER**  
Engineered. Lighting. Solutions.

# LED Work Lights - Model 6040

## PHOTOMETRIC SPECIFICATIONS

Raw Lumen Output	1,500
Effective Lumen Output	1,070
Nominal LED Color Temperature	5000 K
Beam Pattern(s)	Forward Lighting - Spot



## APPLICATIONS



## PRODUCT WARNINGS

For California residents:

⚠ **WARNING:** Cancer and reproductive harm - [www.P65Warnings.ca.gov](http://www.P65Warnings.ca.gov).

⚠ **AVERTISSEMENT:** Cancer et effet nocif sur la reproduction - [www.P65Warnings.ca.gov](http://www.P65Warnings.ca.gov).

Print date: 2024-08-11

© 2024 J.W. Speaker Corporation • Germantown, WI U.S.A.  
[www.jwspeaker.com](http://www.jwspeaker.com) • [speaker@jwspeaker.com](mailto:speaker@jwspeaker.com) • 262.251.6660

**J.W. SPEAKER**  
 Engineered. Lighting. Solutions.

# LED Work Lights - Model 6040

## RELATED PRODUCTS

---



**Part Number**  
**3157291**

12V LED Work Light  
with Glass Lens &  
Flood Beam Pattern



**Part Number**  
**3157301**

12V LED Work Light  
with Glass Lens &  
Trapezoid Beam  
Pattern



**Part Number**  
**3157471**

12-48V LED Work Light  
with Polycarbonate  
Lens & Flood Beam  
Pattern



**Part Number**  
**3157481**

12-48V LED Work Light  
with Polycarbonate  
Lens & Trapezoid  
Beam Pattern



**Part Number**  
**3157491**

12-48V LED Work Light  
with Polycarbonate  
Lens & Spot Beam  
Pattern



**Part Number**  
**3157591**

12-48V LED Work Light  
with Glass Lens &  
Trapezoid Beam  
Pattern



**Part Number**  
**3157601**

12-48V LED Work Light  
with Glass Lens &  
Flood Beam Pattern



**Part Number**  
**8000111**

12V LED Work Light  
with Polycarbonate  
Lens & Flood Beam  
Pattern